

Description

The KMC MEP-425 Series direct-coupled, spring-return actuators are designed to control small sized dampers requiring fail-safe operation.

The MEP-425 Series actuators mount to 1/4" to 3/4" diameter shafts or 1/4" to 1/2" square shafts. The actuators produce 62 in-lbs of torque, running and spring return minimum, over a maximum 95° rotation.

Two-position, tri-state, and 0 to 10 VDC models are available with pre-cabled wiring and integrated conduit adapter.

Features

- ◆ Direct mounting to common shaft sizes
- ◆ Two-position, tri-state and 0 to 10 VDC models
- ◆ Integrated conduit adapter
- ◆ Pre-cabled wiring

Application

The MEP-425 Series Actuators are intended to control small sized dampers requiring fail-safe operation.

Models

The following models are available:

MEP-425100	2-Position, 24 VAC/DC
MEP-425300	2-Position, 120 VAC
MEP-425500	Tri-state
MEP-425502	Tri-state, with dual auxiliary switches
MEP-425503	Tri-state, with feedback
MEP-425600	0 to 10 VDC
MEP-425602	0 to 10 VDC, with feedback and dual auxiliary switches



Specifications

Supply Voltage

24 V Units	VAC ± 20% / VDC ± 15%
120 V Units	VAC ± 10%

Current Input

24 V Units	5 VA (AC) / 3.5 W (DC)
120 V Units	7 VA (AC) / 5 W (DC)

Control Input

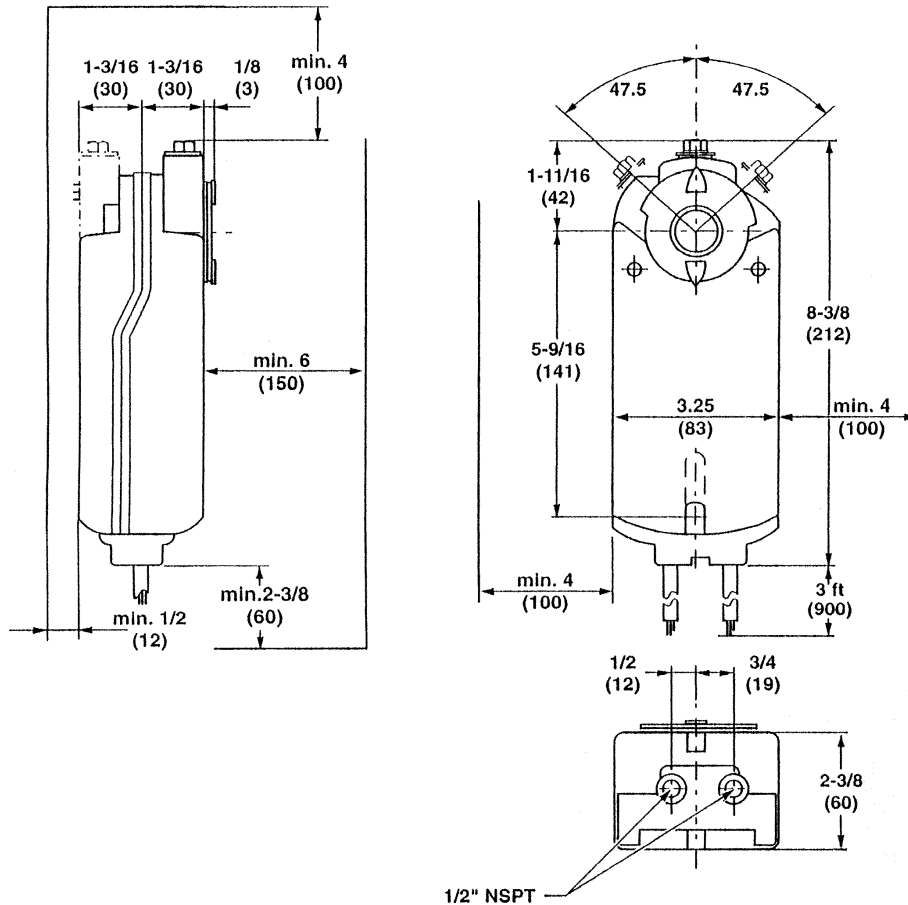
2-Position	
24 VAC/VDC	MEP-425100
120 VAC	MEP-425300
Tri-state	MEP-425500
	MEP-425502
	MEP-425503
0 to 10 VDC	MEP-425600
	MEP-425602

Feedback

1K Ohm Pot.	MEP-425503
0 to 10 VDC	MEP-425600
	MEP-425602

Details

All dimensions in inches (mm).



Specifications (continued)

Torque	62 in-lb (7 N•m)
Angular Rotation	90° Nominal (95° Max.)
Motor Timing	90 Seconds
Operating Spring Return Time	15 sec. typical (60 seconds max. @ -25° F)
Mounting	Direct to 1/4" to 3/4" (6.4 to 20.5 mm) round, or 1/4" to 1/2" (6.4 to 13 mm) square secured by self-centering shaft coupling and non-rotational mounting bracket (supplied with unit). Minimum damper shaft length is 3/4" (20 mm).
Connections	Pre-cabled, 18 AWG, 3-foot (0.9 m) length.
Enclosure	Die cast aluminum alloy, NEMA 1
Weight	2.9 pounds (1.3 kg)

Dimensions	8-3/8" H x 3-1/4" W x 2-2/3" D (212 mm x 83 mm x 68 mm)
Agency Listing	UL60730 (Replaces UL873) C-ULC22.2 No.24-93
Temperature Limits	
Operating	-25° to 130°F (-32° to 55°C)
Shipping	-40° to 158°F (-40° to 70°C)
Humidity	95% Non-condensing

KMC Controls, Inc.
 19476 Industrial Drive
 New Paris, IN 46553
 574.831.5250
www.kmccontrols.com