

Actuator Accessories Chart

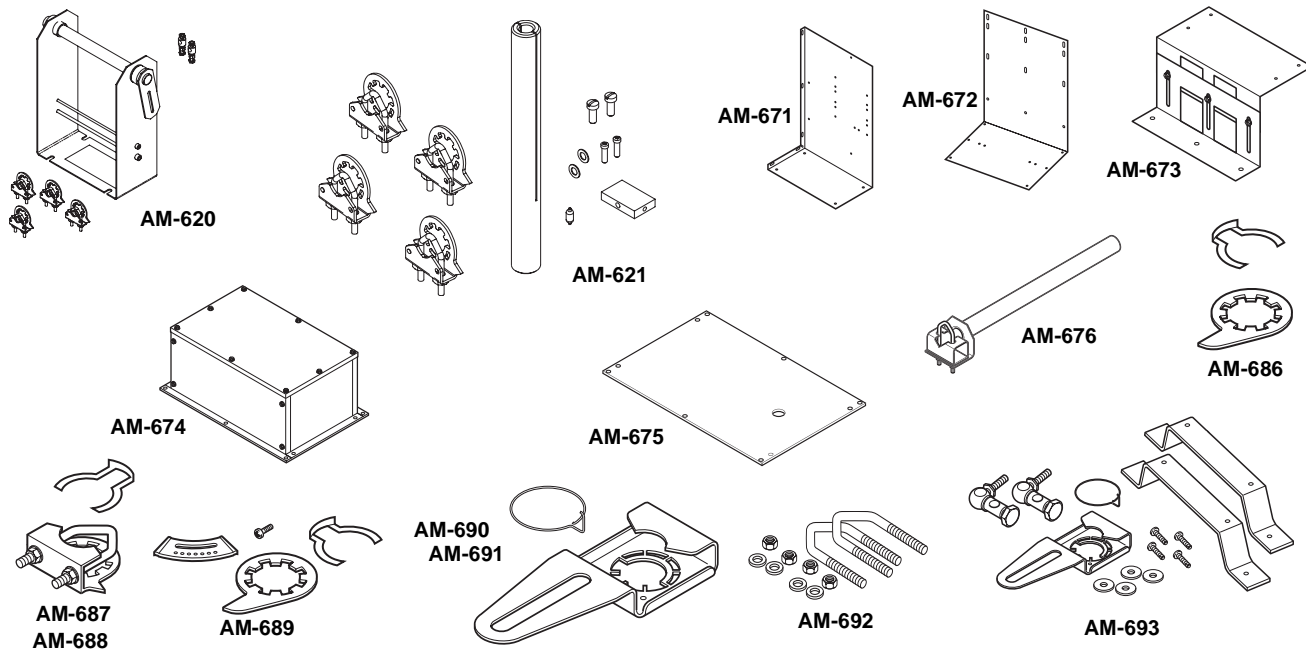


Figure-1

Part Numbers	Description	Spring Return Actuators								Non-Spring Return Actuators						General Instructions Document	
		MA40-704X Series MF40-7043	MS40-7043	MA4X-707X Series MF4X-7073 Series	MS4X-7073 Series	MA4X-715X Series MF4X-7153 Series	MS4X-7153	MA40-717X Series MF40-7173	MS40-717x Series	MF41-6043 MS41-6043	MF41-6083	MS41-6083	MF41-6153	MS41-6153	MF41-6343		MS41-634X Series
AM-620	Actuator Remote Mount					X	X	X	X				X	X	X	X	-
AM-621	Round Shaft Extension					X	X	X	X				X	X	X	X	-
AM-671 ^{abcd}	Mounting Bracket	X	X	X	X	X	X										F-25096
AM-672 ^{abcd}		X	X	X	X	X	X										
AM-673 ^c		X	X	X	X	X	X										
AM-674	Weather Shield & Base	X	X	X	X	X	X	X	X						X	X	F-25097
AM-675		X	X	X	X	X	X										
AM-676	Shaft Extension	X	X	X	X	X	X	X	X						X	X	F-25098
AM-686	Position Indicator			X	X	X	X										
AM-687 ^e	V-clamp			X	X	X	X										
AM-688	Replacement Universal Clamp			X	X	X	X										
AM-689	Rotation Limiter			X	X	X	X										
AM-690	Crank Arm			X	X	X	X										
AM-691					X	X	X	X									
AM-692 ^f	V-bolt			X	X	X	X										
AM-693 ^{gh}	Crank Arm Kit			X	X	X	X										

^a AM-693 crank arm kit required.

^b Cannot be used with MX41-634X or MX40-717X series actuators.

^c Drill appropriate mounting holes where needed.

^d The large "C"-shaped clamps included in AM-693 crank arm kit are required for mounting the actuator. Drill appropriate mounting holes where needed.

^e For shafts to 1.05" diameter or 5/8" square.

^f For shafts to 3/4" and 1.05" diameter (with AM-690 and AM-691, respectively).

^g Use the self-tapping screws and flat washers provided in kit to mount actuator.

^h AM-692 V-bolt kit required.

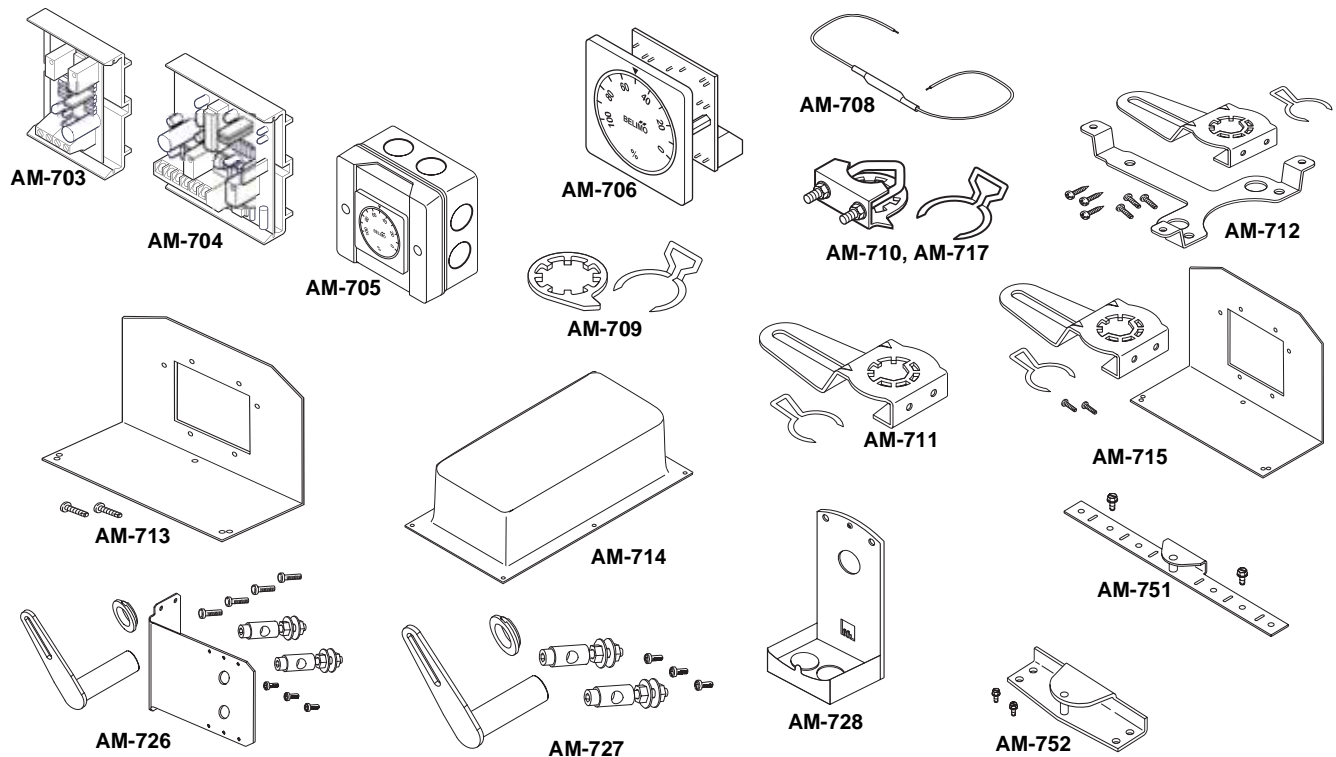


Figure-2

Part Numbers	Description	Spring Return Actuators								Non-Spring Return Actuators						General Instructions Document		
		MA40-704X Series MF40-7043	MS40-7043	MA4X-707X Series MF4X-7073 Series	MS4X-7073 Series	MA4X-715X Series MF4X-7153 Series	MS4X-7153 Series	MA40-717X Series MF40-7173	MS40-7173	MF41-6043	MS41-6043	MF41-6083	MS41-6083	MF41-6153	MS41-6153		MF41-6343	MS41-634X Series
AM-703	Span Adjustment		X		X		X		X				X		X			F-26895
AM-704	Modulation Interface		X		X		X		X				X		X			F-26895
AM-705	Positioner		X		X		X		X		X		X		X			F-26895
AM-706			X		X		X		X		X		X		X			F-26895
AM-708	500 Ω Resistor		X		X		X				X		X		X			F-26896
AM-709	Position Indicator & Stroke Limiter	X	X															F-26896
AM-710 ^a	V-clamp	X	X															F-26896
AM-711	Crank Arm Adaptor Kit	X	X															F-26896
AM-712			X	X														F-26896
AM-713	Bracket	X	X															F-26896
AM-714	Weather Shield	X	X	X	X	X	X											F-25097
AM-715	Crank Arm Adaptor Kit	X	X															F-26896
AM-717	Replacement Universal Clamp	X	X															F-26896
AM-726	Crank Arm Adaptor									X	X	X	X					F-26802
AM-727										X	X	X	X					F-26802
AM-728 ^b	Conduit Adaptor									X	X	X	X					F-26802
AM-751	Anti-rotation Bracket							X	X							X	X	F-26898
AM-752								X	X							X	X	F-26898

^a For shafts up to 3/4" diameter round or up to 1/2" square.

^b Cannot be used when creating a linked valve/actuator assembly.

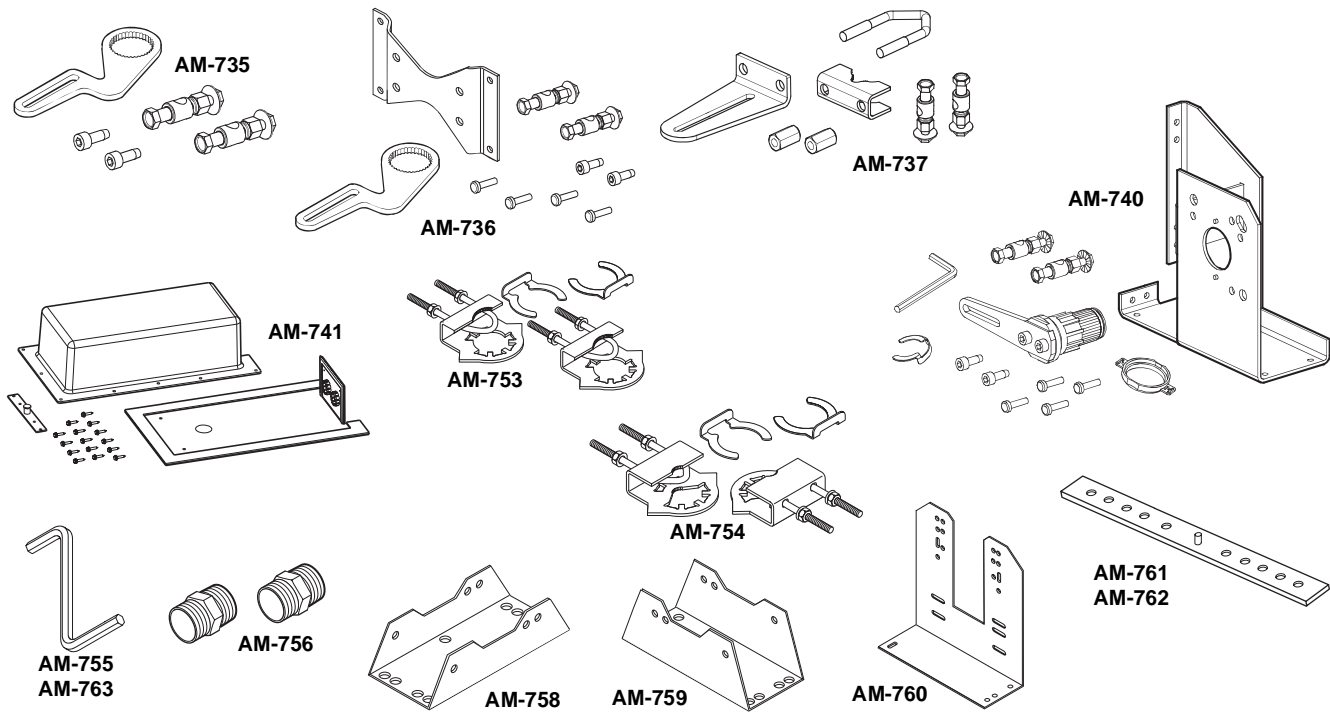


Figure-3

Part Numbers	Description	Spring Return Actuators								Non-Spring Return Actuators						General Instructions Document
		MA40-704X Series MF40-7043	MS40-7043	MA4X-707X Series MF4X-7073 Series	MS4X-7073 Series	MA4X-715X Series MF4X-7153 Series	MS4X-7153 Series	MA40-717X Series MF40-7173	MS40-7173	MF41-6043 MS41-6043	MF41-6083	MS41-6083	MF41-6153	MS41-6153	MF41-6343	
AM-735	Crank Arm Kit											X	X			F-27246
AM-736	Crank Arm Kit with Bracket											X	X			F-27247
AM-737	Universal Crank Arm ^a											X	X			F-27248
AM-740	Replacement Kit											X	X			F-27249
AM-741	Weather Shield								X	X	X	X	X			F-27250
AM-753 ^b	Mounting Clamp						X	X						X	X	F-26898
AM-754 ^c							X	X						X	X	
AM-755	Manual Override Crank													X	X	
AM-756	Metric Conduit Adaptor	X	X	X	X	X	X	X	X					X	X	F-26899
AM-758	Short "U" Mounting Bracket			X	X	X	X									F-25096
AM-759	Tall "U" Mounting Bracket			X	X	X	X									
AM-760	Slotted "L" Mounting Bracket			X	X	X	X									
AM-761	7-inch Anti-Rotation Bracket	X	X													F-26986
AM-762	9-inch Anti-Rotation Bracket	X	X	X	X	X	X	X	X					X	X	F-25098
AM-763	Manual Override Crank			X ^d	X ^d	X ^d	X ^d									F-25098
TF-711-02	Sealtight Conduit Connector						X	X						X	X	—
TF-713-02							X	X						X	X	—
TF-5521	Pipe Plug						X	X						X	X	—

^a For Honeywell Floor Mount Mod Motor.

^b For shafts 3/4" round and 5/8" square.

^c For shafts 3/8" to 1/2" round and square.

^d Only used on MX41-707X-XXX, MX41-715X-XXX.