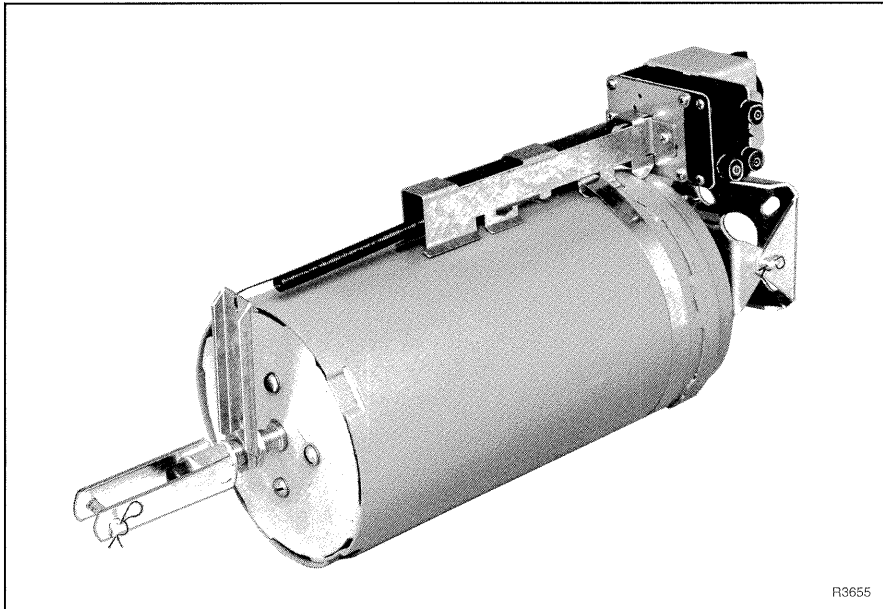


MP920B Pneumatic Actuator

SPECIFICATION DATA



FEATURES

- Rolling diaphragm operated
- Fail safe on over pressure
- Actuator can be swivel mounted from either end to pipe, floor, or wall surface
- Optional positive positioner provides accurate positioning under varying load conditions

GENERAL

MP920B Pneumatic Actuators are suitable for fan inlet vane control applications in a VAV system.

DESCRIPTION

MP920B Pneumatic Actuators are suitable for fan inlet vane control applications in a VAV system.

SPECIFICATIONS

Models:

- MP920B: Operator only
See ACCESSORIES for Positioner

Maximum Safe Air Pressure:

29 psi (200 kPa)

Stroke:

6 in. (150 mm)

Effective Area:

24.8 in.² (160 cm²)

Spring Range:

MP920B: 7-1/4 to 13 psi (50 to 90 kPa)

Positioner Input Span:

10 psi (70 kPa)

Net Force Exerted:

For fan inlet vane applications only:
With 0 psi applied: 173 lb force (770 N) available to close fan inlet vanes
With 20 psi (138 kPa) applied: 298 lb force (1326 N) available to open fully closed fan inlet vanes; 173 lb force (770 N) with shaft fully extended

Ambient Temperature Range:

-20 to 158F (-30 to 70C)

Diaphragm:

Neoprene, rolling type

Housing:

Grey enamel finish on steel body

Shipping Weight:

Operator: 13-1/4 lb. (6.0 kg)
Positioner Kit: 2-1/8 lb. (1 kg)

Shaft End Connection:

9/16 in.-18 UNF male with 3/8 in.-16 UNC female

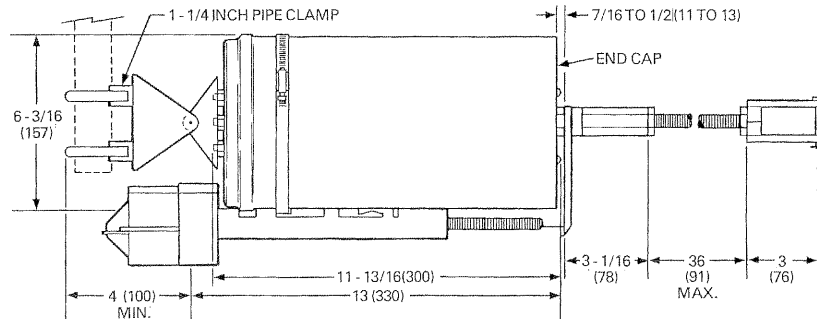
Air Connection:

MP920B: 1/4 in. (6 mm) push-on barb
Positioner:
5/32 in. (4 mm) push-on barb (pilot)
1/4 in. (6 mm) push-on barb (main and branch)

Accessories

- 14004345-001 Positive Positioner Kit
- AK3556 Pipe Mounting Bag Assembly, for 1-1/4 in. pipe
- AK3557 Short Clevis Bag Assembly, for 3/8 in.-16 threaded rod
- AK3558 Swivel Bracket Bag Assembly
- AK3559 Long Clevis Bag Assembly with actuator shaft coupling for 5/8 in.-11 threaded rod
- AK3560 Ball joint, 3/8 in.-24 threaded stud with couplings for 5/8 in.-11 threaded rod and actuator shaft
- AK3561 Ball joint, 3/8 in.-24 threaded stud with couplings for 3/8 in.-16 threaded rod
- 14004368-002 Bracket Assembly

Dimensions In Inches (Millimeters):



S 21058

Home and Building Control

Honeywell Inc.
Honeywell Plaza
P.O. Box 524
Minneapolis MN 55408-0524

Honeywell Latin American Division

Miami Lakes Headquarters
14505 Commerce Way Suite 500
Miami Lakes FL 33016

Home and Building Control

Honeywell Limited-Honeywell Limitée
740 Ellesmere Road
Scarborough Ontario

Honeywell Europe S.A.

3 Avenue du Bourget
B-1140 Brussels Belgium

Honeywell Asia Pacific Inc.

Room 3213-3225
Sun Hung kai Centre
No. 30 Harbour Road
Wanchai
Hong Kong

Honeywell

Helping You Control Your World

