

## Round Volume Control Dampers

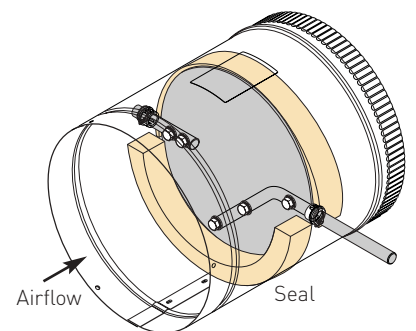


### Round Balancing Damper

Available **without seals** for use in balancing applications and is easily installed in round ducts.

### Round Control Damper

Available **with seals** for use as a low leakage control damper and is easily installed in round ducts.



Looking for **Round?**

# Round Damper available in 3 working days

## Damper Configurator

Ordering Code			R	C	G	d	d	S	D	N	C
<b>Product Family</b>	R	= Round Dampers	R								
<b>Application</b>	B	= Balance - without seals									
	C	= Control - with seals		C							
<b>Shroud Type</b>	G	= Galvanized 20-gauge			G						
	S	= Stainless Steel (Balance Application Only)									
<b>Diameter</b>	04 to 22	1 inch increments				0	6				
<b>Actuator</b>		<b>Control Dampers</b>									
	B	= Bracket Only									
	E	= Electric non-spring return, M9104 (not available with 4 or 5 inch diameters)									
	N	= None									
	P	= Pneumatic, D-3062									
	S	= Electric spring return, M9216 (not available with 4 or 5 inch diameters)							S		
		<b>Balancing Dampers</b>									
	B	= Bracket Only									
	M	= Manual locking quadrant									
	N	= None									
<b>Control Signal</b>		<b>Control Dampers</b>									
Electric	A	= Floating without feedback									
	B	= Floating with 2 SPDT* Auxiliary Switch									
	D	= Proportional with 0-10VDC feedback								D	
	E	= Proportional with 2 SPDT Auxiliary Switch									
Pneumatic	P	= 3-7 lb spring range									
	Q	= 5-10 lb spring range									
	R	= 8-13 lb spring range									
	T	= 11-15 lb spring range									
<b>Actuator</b>	NC	= Normally Closed								N	C

### Actuator Specifications

Ambient Operating Conditions of -4 to 122° F (-20 to 50° C) have a rotation timing for a M9106 of a nominal 90 sec. @ 60Hz and for a M9206 of a nominal 80-90 sec. @ 60Hz.

\*SPDT = Single pole double throw switch

**Note: Not all configurations are available.**

### Factory Assembled and Tested



Available with or without a factory-installed actuator.

### Our Guarantee to You

Certified to ISO 9001 quality processes and backed by a three-year warranty to the end user, our products have the **longest warranty in the business.**

All dampers are made to order and cannot be returned because of incorrectly ordered sizes.



### Shipping

Our round dampers are built-to-order with a **standard lead time of three working days.** Next day fast track service is available for an additional charge.

JOHNSON  
CONTROLS