

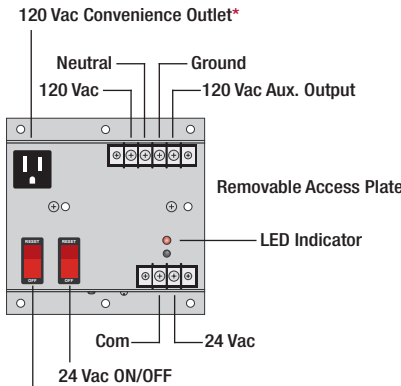
PSC40AB10

AC POWER SUPPLY
Enclosed Single 40 VA Power Supply, 120 to 24 Vac



SPECIFICATIONS

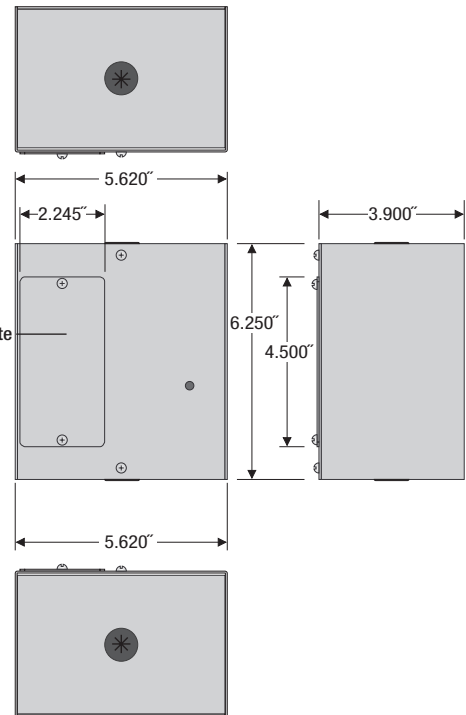
- Transformer:** One 40 VA Split-Bobbin, Inherently Limited
- Primary:** 120 Vac
- Secondary:** 24 Vac, w/ LED Indicator
- Frequency:** 50/60 Hz
- 24 Vac ON/OFF:** On / Off Switch
- Main Breaker ON/OFF:** Switch / Breaker (10 Amp) (Kills power to entire unit: Outlet, Aux. Output, and Transformer)* Total Combined Output 9A
- Mounting:** Mounting plate included (as shown)
- Approvals:** Class II UL Listed, UL916, C-UL, CE, RoHS
- Dimensions:** 6.250" x 5.620" x 4.250"
- Weight:** 4.40 lbs.



10 Amp Main Breaker/Switch

Notes:

- *Move internal jumper to "HOT" position if you wish outlets to always be hot otherwise outlets will be switched by main breaker.
- To order without enclosure, see PSB40AB10.



PSC100AB10

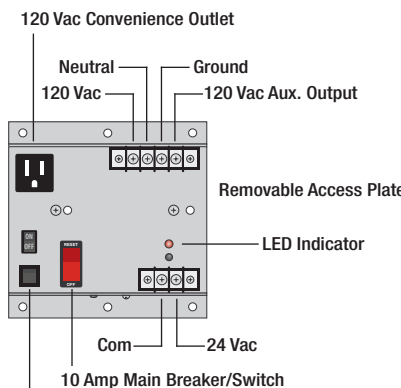
AC POWER SUPPLY
Enclosed Single 100 VA Power Supply, 120 to 24 Vac



Available with Terminal Cover as Model PSC100AB10-TC

SPECIFICATIONS

- Transformer:** One 100 VA Split-Bobbin, Circuit Breaker
- Primary:** 120 Vac
- Secondary:** 24 Vac, w/ LED Indicator
- Frequency:** 50/60 Hz
- 24 Vac ON/OFF:** On / Off Switch & Breaker
- Main Breaker ON/OFF:** Switch / Breaker (10 Amp) (Kills power to entire unit: Outlet, Aux. Output, and Transformer) Total Combined Output 9A
- Mounting:** Mounting plate included (as shown)
- Approvals:** Class II UL Listed, UL916, C-UL, CE, RoHS
- Dimensions:** 6.250" x 5.620" x 4.250"
- Weight:** 5.80 lbs.



24 Vac Breaker & On/Off Switch

Notes:

- To order without enclosure, see PSB100AB10.

